



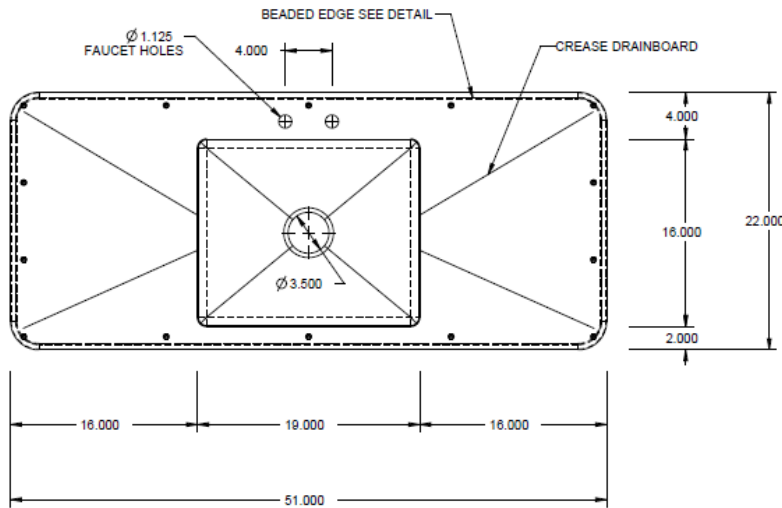
## ONE COMPARTMENT DROP-IN SINK WITH TWO DRAINBOARDS

PROJECT#: \_\_\_\_\_

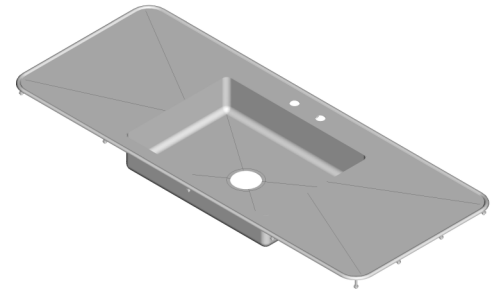
ITEM# \_\_\_\_\_

MODEL# \_\_\_\_\_

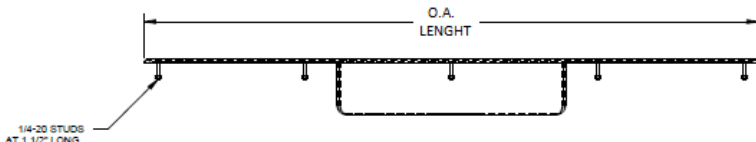
Model #	Bowl Size L x W x D	O.A. Dims L x W	Model #	Bowl Size L x W x D	O.A. Dims L x W
<a href="#">DWDD-1-1916-4.5-16D</a>	19" x 16" x 4 1/2"	51" x 21 1/2"	<a href="#">DWDD-1-2216-10-16D</a>	22" x 16" x 10"	54" x 21 1/2"
<a href="#">DWDD-1-1916-7.5-16D</a>	19" x 16" x 7 1/2"	51" x 21 1/2"	<a href="#">DWDD-1-2816-4.5-16D</a>	28" x 16" x 4 1/2"	60" x 21 1/2"
<a href="#">DWDD-1-1916-10-16D</a>	19" x 16" x 10"	51" x 21 1/2"	<a href="#">DWDD-1-2816-7.5-16D</a>	28" x 16" x 7 1/2"	60" x 21 1/2"
<a href="#">DWDD-1-2216-4.5-16D</a>	22" x 16" x 4 1/2"	54" x 21 1/2"	<a href="#">DWDD-1-2816-10-16D</a>	28" x 16" x 10"	60" x 21 1/2"
<a href="#">DWDD-1-2216-7.5-16D</a>	22" x 16" x 7 1/2"	54" x 21 1/2"			



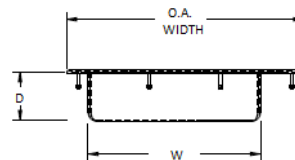
**PLAN**



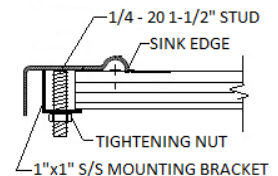
**ISOMETRIC VIEW**



**ELEVATION**



**SECTION**



**DETAIL SECTION**

### Mechanical Specifications

- 16 gauge 304 stainless steel fabrication
- 3 1/2" drain opening with crumb cup drain and basket strainers 1 1/2" IPS
  - Fully welded, seamless and polished to a #3 commercial finish
  - Horizontal and vertical corners covered to a 3/4" radius
  - Die formed depression to drain in bowl bottom
    - 1 set of faucet holes 4" o.c.
  - 1" x 1" stainless steel mounting bracket
- 1/4 - 20 studs @ 1 1/2" long welded to underside of sink edge
- Feathered edge around perimeter of sink bowl on all 4 sides
  - NSF listed and labeled

### Optional

- 14 gauge 304 stainless steel fabrication available
  - Different bowl sizes and depths
  - Additional faucet drillings
- Sound deadening to underside of sink bowl
  - ADA options